

Pushes boundaries

MatriX Hybrid

With the MatriX Hybrid gas fireplace, Faber once again pushes the boundaries in the world of fireplaces. If you may think that fewer "real" flames mean a less realistic fire, you're mistaken. Faber's "HPL" LED technology actually adds a new dimension to gas fireplaces, allowing you to create an even more impressive fire display with the same ease and less gas. All at the push of a button on the remote control or a tap on your smartphone or tablet.

Save up to 50% on your gas consumption without compromising on the ultimate fire experience. Discover our revolutionary hybrid fireplace, equipped with the optional Hybrid Pro Light module for an even richer fire display, even at the lowest setting. Enjoy a horizontally oriented fire display with beautifully evenly distributed flames across the entire width of the fireplace.

With a total of 7 different burners, you can customize the fire display to your preference, creating the perfect ambiance for every situation. Furthermore, the heat output is adjustable from a maximum of 10 to just 1.5 kW, making this fireplace ideal for modern, well-insulated homes with low heating needs. Available in various sizes and models, including front-facing, 2-sided, and 3-sided versions, room dividers, and see-through models.

Why opt for the MatriX Hybrid?

- Up to 50% less gas consumption; without sacrificing the natural flame effect,
- The (optional) Hybrid Pro Light module gives even richer flames; even at the lowest setting,
- Horizontal flame effect with equally distributed flames over the entire width of the fire,
- No less than 7 individual burners offer unequalled adjustment possibilities; always the perfect flames for any situation,
- Adjustable heat output from maximum 10 down to a mere 1.5 kW; therefore also ideal for modern, well insulated houses with relatively limited heat requirements,
- Available in various sizes and as a front, 2 and 3-sided version, Room divider or See-through model.



More information about
the MatriX Hybrid?
Scan the QR code.

In other words: a modern and extremely low energy gas fire offering endless possibilities.

HYBRID FIRE

MatriX | 800/500 II

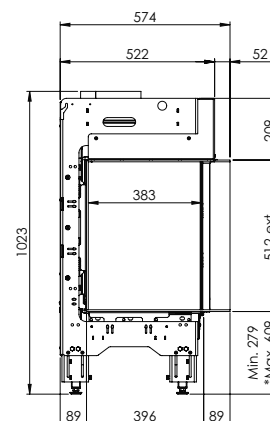
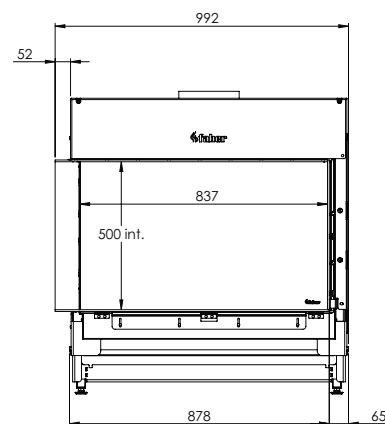
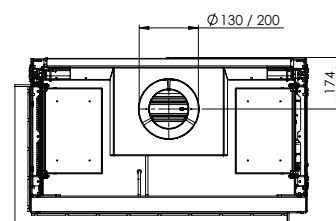


DECORATION



HPL module

Flue material 130/200



* Incl. optional adjustable feet



Specifications

Exterior dimensions WxHxD in mm
992 x 1023 x 574

Fire display WxHxD in mm
837 x 500 x 383

System
Log Burner 3.0

Decoration
Log set

Back wall
Back wall smooth steel

Remote
Via app and ITC Remote

Power
10,1 kW

Operating system
Honeywell

Energy label
B

Options (at a surcharge)
HPL Module
Non-reflective glass
Black glass back wall
Inset depth 30 mm
Inset depth 100 mm
Adjustable feet
Wall bracket